

Name: _____



A **new** president will be **inaugurated** on January 20. It is an **exciting** day!

You are a reporter and have been asked to write an article about this event. Answer the questions to help you write your **groundbreaking, exciting** story. Pulitzer Prize here you come!



\$1.50

The DAILY NEWS

January 20

New President is Inaugurated

When does the event take place and who is involved?

Draw an illustration of the most exciting part of the event here:

Where does the event take place? What kind of weather is it?

In your professional opinion, what is the most exciting and inspiring part of the event? (Feel free to do a little research on what happens during an inauguration to help you here if you need to. After all, an inauguration only happens every four years!)

What is the event and why is it important?

Name: _____



On January 20, we will celebrate **Inauguration Day** as a **new** president takes office.

It is an **EXCITING** day for the country!



This tradition was started

with the first president, **George Washington**, in 1789.



If **you** were a **new president**, what would you say in **your**

address? Write your *inspiring* ideas for your vision for our country.

Handwriting practice lines consisting of multiple horizontal lines for writing.



Your speech is **so great** that you get a **STANDING OVATION!**

Name: _____

What Happens on Inauguration Day?

When a new president takes office, there is an inauguration. There is a formal ceremony. The new president and vice president take the oath of office. It takes place on the first day of the new president's term. That day is January 20. After the swearing-in, there is a parade. That night, there are balls for the new president to attend. If January 20 falls on a Sunday, the new president is sworn in on that day. The public celebrations will be the next day.



The new president and vice president each take an oath. The swearing-in ceremony usually is held on the steps of the U.S. Capitol in Washington, D.C. Each person's oath is special. The vice president goes first. He swears to "support and defend the Constitution of the United States" and to carry out the duties of the office. A band plays the song, "Hail, Columbia." This song was composed for the inauguration of George Washington in 1789.

At noon, the new president takes his oath. He swears that he will "faithfully execute the office of president of the United States, and will to the best of my ability, preserve, protect, and defend the Constitution of the United States." The band plays "Hail to the Chief." There is a 21-gun salute. Then the new president gives his inaugural address. This is a speech that sets the tone for the next four years.

The former president and vice president and their wives leave the Capitol. The new vice president escorts the outgoing vice president and his wife. They pass through a military cordon. This is two lines of military soldiers. The new president escorts the outgoing president and his wife. Since 1977, the outgoing president and First Lady have left in a military helicopter. Then the new president and vice president return to the Capitol.

They are guests of honor at lunch with all the members of Congress. Then the new president and vice president leave the Capitol. They travel from the Capitol down Pennsylvania Avenue to the White House. They usually walk at least part of the way. Crowds of people line the street to see them. They are followed by a parade. The parade includes marching military regiments. There are citizens' groups who march, too. There are floats and marching bands. The president and vice president watch the rest of the parade. They will sit in a reviewing stand built especially for the inaugural parade in front of the White House. Their wives and special guests also sit in the reviewing stand.

That evening, the new president and vice president will attend the inaugural balls. A ball is a formal dance. Since 1953, there has been more than one official inaugural ball. Each president since then has had various numbers of balls held in his honor. In 1997, there were fourteen! In fact, there will be many balls and galas beginning five days before and ending five days after Inauguration Day.

Name: _____

Of course, inauguration is different if the former president has died in office. In 1963, President John Kennedy was shot in Dallas, Texas. Vice President Lyndon Johnson was sworn-in some two hours later on Air Force One, the president's plane. Presidents are usually sworn in by the Chief Justice of the Supreme Court. Instead, Johnson was sworn in by Judge Sarah Hughes, a family friend.

In 1974, President Nixon resigned from office. He resigned to avoid being impeached. Impeachment might have led to his removal from office. Gerald Ford became the new president. Ford was never elected either president or vice president! His swearing-in ceremony took place in the East Room of the White House.

Inaugural ceremonies have taken place for the president of the United States for more than two hundred years. Our nation celebrates the change of leadership based on our democratic system of government. The leadership of our country passes- peacefully- from one person to another. It is, indeed, something to celebrate!

What Happens on Inauguration Day?

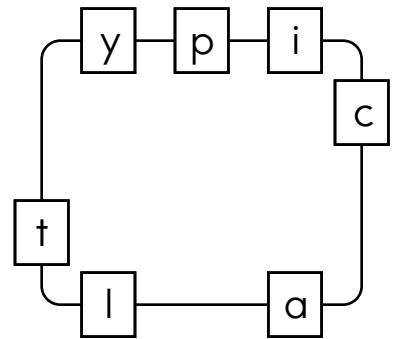
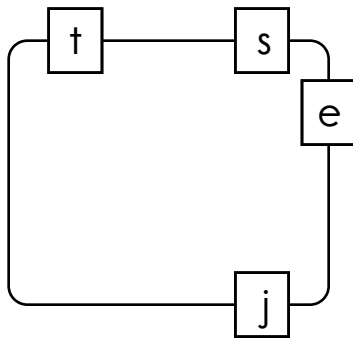
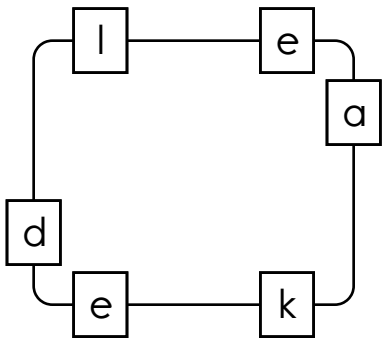
Questions

- _____ 1. When does inauguration take place in the U.S.?
- A. January 20
 - B. the first day of the new president's term of office
 - C. both A and B
2. What happens if January 20 falls on a Sunday?
- _____
- _____
- _____ 3. What happens at the inaugural swearing-in ceremony?
- A. The new president leads a parade.
 - B. The outgoing president and vice president leave Washington, D.C.
 - C. The new president attends a dance.
 - D. The president and vice president take the oath of office.
- _____ 4. "Hail, Columbia" is played after the president takes the oath of office.
- A. true
 - B. false
- _____ 5. Where is the swearing-in ceremony usually held?
- A. on the steps of the U.S. Capitol
 - B. on the steps of the White House
 - C. on Air Force One
 - D. in the East Room of the White House

Name: _____

- _____ 6. Which of these is NOT a part of the usual inauguration?
- A. a parade
 - B. a ceremony on Air Force One
 - C. inaugural address
 - D. dances
 - E. taking the oath of office
 - F. lunch with Congress
- _____ 7. Which president was never elected as either president or vice president?
- A. Gerald Ford
 - B. Richard Nixon
 - C. Lyndon Johnson
 - D. John Kennedy
- _____ 8. Which president resigned from office?
- A. Lyndon Johnson
 - B. Richard Nixon
 - C. John Kennedy
 - D. Gerald Ford
- _____ 9. Which president was NOT sworn in by the Chief Justice of the Supreme Court?
- A. Gerald Ford
 - B. Lyndon Johnson
 - C. Richard Nixon
 - D. John Kennedy
- _____ 10. In recent years, the former president and First Lady leave the Capitol by what means of transportation?
- A. Air Force One
 - B. a military helicopter
 - C. a military cordon
 - D. none of the above

Write the hidden word. Start at one letter and then move either left or right. Continue in same direction.

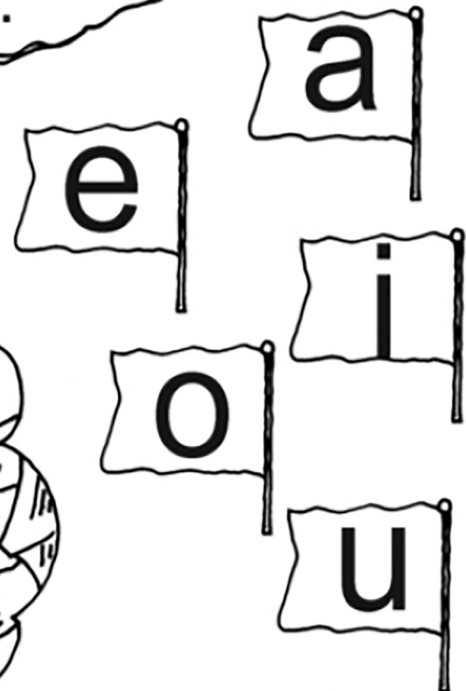


Name: _____

Official Oath

At their inauguration, all new Presidents take an oath. It is a promise to do their job right. Read it after adding the missing vowels (on the flags).

"I d□ s□l□mnly sw□□r
 (□r □ff□rm) th□t I w□ll f□□thf□lly
 □x□c□t□ th□ Off□c□ □f Pr□s□d□nt □f
 th□ Un□t□d St□t□s, □nd w□ll t□ th□ b□st
 □f my □b□l□ty pr□s□rv□, pr□t□ct □nd
 d□f□nd th□ C□nst□t□t□□n □f th□
 Un□t□d St□t□s."



Name: _____



Sometimes a **song** or a **poem** is a part of the inauguration ceremony.

You have been asked to write an **ode** for this **historic** event. An **ode** is a **poem** that praises something. Write a few lines, and don't worry if it doesn't rhyme. (Does that rhyme?)

Ode to the Inauguration

Draw a small symbol to represent your ode here:



That was beautiful.
Nice work.



Do you think the inauguration of a new president is an important ceremony for our country that is worthy of praise in an ode? Why or why not?

Name: _____

The Oath of Office

Caption: Lyndon B. Johnson taking the oath of office on Air Force One following the assassination of John F. Kennedy, Dallas, Texas.

An oath is a promise. Certain clubs have their members recite oaths. Certain jobs, such as mayor or judge, use oaths. The Office of President of the United States is no exception. Yes, there is a presidential oath of office!



The writers of the Constitution of our new country, over two hundred years ago, included an oath of office. It is written in Article II, Section 1. It states, "I do solemnly swear (or affirm) that I will faithfully execute the office of President of the United States, and will to the best of my ability, preserve, protect, and defend the Constitution of the United States." The writers did not include a time or place; instead, Congress was to decide. Therefore, originally, Inauguration Day was later in the year. Later, in 1933, it was moved up to January 20. Currently, the Joint Congressional Committee on Inaugural Ceremonies oversees the details.

George Washington took his first presidential oath of office overlooking Wall Street in New York City. Currently, the location is the U.S. Capitol in Washington, D.C. Of course, there have been exceptions when presidents died or resigned, and, therefore, the oath had to be administered under difficult circumstances.

As the oath is taken, the president-elect places his hand on the Bible. The Bible may be opened to a passage specially chosen by this leader for his special moment. Do you want to know something interesting? To this point in history, each president has picked a different passage. Only one time was the Bible not used during the taking of the presidential oath: in 1901 for Theodore Roosevelt.

Traditionally, the Chief Justice of the United States Supreme Court administers the presidential oath of office. Once again, in an emergency, that may change, such as when U.S. District Judge Sarah T. Hughes swore in Lyndon Johnson in 1963.

All of this talk about the presidential oath may leave you wondering about the vice president. The Constitution did not include a specifically written oath for the vice president. It just said the vice president should take an oath upholding the Constitution. This is the oath that has been used since 1884. It is also used by senators and representatives. "I do solemnly swear (or affirm) that I will support and defend the Constitution of the United States against all enemies, foreign and domestic; that I will bear true faith and allegiance to the same; that I take this obligation freely, without any mental reservation or purpose of evasion; and that I will well and faithfully discharge the duties of the office on which I am about to enter: so help me God." While the Supreme Court Chief Justice administers the presidential oath, the vice president-elect has a choice in the matter. For some, it has been

Name: _____

the Chief Justice anyway. Sometimes it was the departing vice president. Sometimes it's been the president pro tempore of the Senate. Nowadays, it's usually someone of special meaning to the vice president-elect.

Where does the vice president-elect take his oath? In the distant past, it was in the Senate chamber. Currently, it's in the same place as the president - the terrace of the U.S. Capitol. In what order are the oaths taken? The vice president-elect is sworn in before the president-elect.

The oaths repeated on Inauguration Day are filled with tradition and promise. While times may have changed, the promises have remained. While the speeches and parties may vary, the oaths offer a symbol of leadership as the country transitions from one leader to the next.

The Oath of Office

Questions

- _____ 1. An oath is a _____.
 - A. promise
 - B. betrayal
 - C. order
 - D. writer

- _____ 2. The oath for an incoming president is written in the _____.
 - A. Declaration of Independence
 - B. tablet of the Statue of Liberty
 - C. Constitution
 - D. Gettysburg Address

- _____ 3. The writers believed _____ should decide on the place the oath would be administered.
 - A. Congress
 - B. the media
 - C. the First Lady
 - D. the Supreme Court

- _____ 4. Since 1933, a traditionally planned Inauguration Day is held on _____.
 - A. March 20
 - B. February 20
 - C. April 20
 - D. January 20

- _____ 5. Only one time was the Bible not used during the taking of the presidential oath. That was for _____.
 - A. George Washington
 - B. Bill Clinton
 - C. Lyndon Johnson
 - D. Theodore Roosevelt

- _____ 6. The Constitution did not include a specific oath for the vice president.
 - A. true
 - B. false

Name: _____

7. Who takes the oath first on Inauguration Day?

- A. the president-elect
- B. the vice president-elect

8. Who traditionally administers the oath for the president-elect?

$$11 \div \frac{1}{4}$$

What is 50% of 784?

B, E, H, K, N, Q, _____,

W, Z

The area of a rectangle is 21 cm^2 . What could the length of the 4 sides be?

Know how many inches in a foot? Okay, smarty pants, how many inches in 9 feet?

88 divided by 8 equals

Round 94,864 to the nearest hundred.

What 6 coins add up to 95 cents?

10, 12, 14, 16, _____, 20, 22,

24, 26, 28

It was 95 degrees outside. What would the temperature be if it got 17 degrees colder?

$$6 \times 3 + 8$$

It was 6 degrees below zero in the morning. By afternoon the temperature rose 21 degrees. How warm was it?

Name: _____

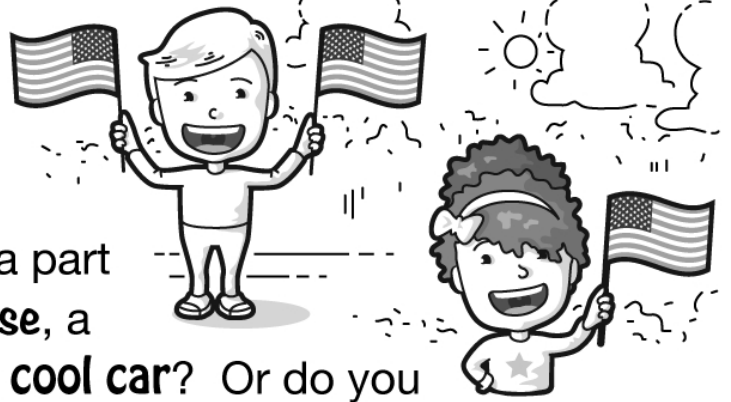
How many of these can you write about? Think! Write! Check all the ones you answered.

- Explain the words of the presidential oath.
- Explain the words of the vice presidential oath.
- Compare and contrast the different oaths for the vice president and the president.
- Compare and contrast the oaths of the president and vice president to other oaths.
- Write your own oath for a club at school or home.
- Write a new oath for the incoming president.

Don't stop writing. Use a blank piece of paper to continue.

Name: _____

An **inaugural parade** is part of this important day. Everyone **loves** a parade!



As **president**, you decide to be a part of the parade. Do you ride a **horse**, a **MOTORCYCLE**, or drive serenely in a **cool car**? Or do you decide to **walk** the 1.5 miles along Pennsylvania Avenue?

Handwriting practice lines consisting of ten horizontal lines.

Draw a picture here of your means of transportation in the parade, or design a float that could be in the parade and draw it here:



Handwriting practice lines consisting of ten horizontal lines for drawing.

Name: _____



On January 20, we will **inaugurate** a **new** president. It is a **great** day!

The president takes an **oath** to “**preserve**, **PROTECT** and **defend** the Constitution of the United States.”



The Constitution begins with the phrase
“We the people of the United States...”

Why do you think it is important for the Constitution to be from the people? If you were president, what would you do to find out what the people wanted you to do? Be specific and descriptive in your answer.

Handwriting practice area consisting of a large scroll with horizontal lines. The scroll has a rolled-up top left corner and a rolled-up bottom left corner. The lines are intended for writing a response to the questions above.

Do you think it is important for the president to take an oath to preserve, protect, and defend the Constitution? Why or why not?