

word root tion means state or quality

fracture

numerous

glutinous

magnetic

failure

unaware

outskirts

police

gnome

gallery

rumor

indignant

signs

exploded

extraction

environmentalist

word root envi means encircle

tenth

Word Study

interpret

dependents

resourceful

Week of _____

designs

prairie

ruptured

retain

aviation

birthday

exile

word root ex means out

particular

blasted

observing

wear

storage

retraction

interior

inhale

word root glu means keep a firm hold of something or tenacious

environment

reign

dependence

smoke

My Name: _____

Your Words

Pick 3 to do:

- page 1
- page 2
- pages 3-4
- page 5

Math Break

Pick 1 to do:

- page 8
- page 9
- page 10
- page 11
- page 12

Spelling Workout

Pick 6 to do:

- page 13
- page 14
- page 15
- page 16
- page 17
- page 18
- page 19
- page 20

Spelling Break

Pick 1 to do:

- page 21
- page 22
- page 23

Challenge Words

Pick 1 to do:

- page 24
- page 25

Vocabulary

Do all of these:

- page 6
- page 7

Name: _____



retraction • dependence • aviation • blasted • failure • prairie
 gnome • exit • exile • gallery • police • tenth • designs • glutinous
 rumor • ruptured • numerous • fracture • resourceful • unaware
 environmentalist • reign • represent • smoke • wear • magnetic
 environment • inhale • interior • signs • assigning • storage • exploded
 particular • observing • indignant • dependents • retain • birthday
 extraction • outskirts • magnifying • interpret

Write four words that you are unable to define.

_____	_____
_____	_____

Write ten of the most difficult words to spell.

_____	_____
_____	_____
_____	_____
_____	_____
_____	_____

Write six words that you have not yet written.

_____	_____
_____	_____
_____	_____

Name: _____

Finding Words Multiple Times

Look for words to the RIGHT, to the LEFT, UP, or DOWN.

I	H	N	N	Y	S	N	G	I	S	R	E	I	G	N
N	T	T	H	T	N	E	M	N	O	R	I	V	N	E
H	N	T	T	R	E	T	N	E	X	N	G	I	E	R
A	E	N	N	E	X	N	T	R	E	I	G	N	S	I
L	T	E	E	P	I	E	N	R	E	T	R	I	T	N
E	E	S	T	R	T	M	E	S	X	E	U	S	R	T
U	L	E	E	E	T	N	S	T	I	G	P	T	I	E
N	A	R	L	S	E	O	E	O	T	A	T	O	K	R
A	H	P	I	E	N	R	R	R	T	R	U	R	S	P
W	N	E	X	N	T	I	P	A	I	O	R	A	T	R
A	I	R	E	T	H	V	E	G	X	T	E	G	U	E
R	E	L	I	X	E	N	R	E	E	S	D	E	O	T
E	R	E	I	G	N	E	R	U	P	T	U	R	E	D

Answers for blanks: 1 2 1 3 1 3 3 2 2 4

I found RUPTURED ____ time(s).

I found INTERPRET ____ time(s).

I found OUTSKIRTS ____ time(s).

I found REIGN ____ time(s).

I found ENVIRONMENT ____ time(s).

I found STORAGE ____ time(s).

I found SIGNS ____ time(s).

I found EXIT ____ time(s).


I found REPRESENT ____ time(s).

I found EXILE ____ time(s).

Name: _____

Picture Dictionary

Draw a picture of 11 of your words. Write the word in cursive.



EXAMPLE. laughed

1. _____

2. _____

3. _____

4. _____

5. _____

Name: _____

6. _____

7. _____

8. _____

9. _____

10. _____

11. _____

Name: _____

B B B W B R B B R B R A C E L E T
 R B R B I B G R R B O L I Z A R B
 I R R A R S R N O O R B B O I B E
 E I H I V A E A I A U U R B R I B
 F B M V S I I H K N D G I I C I R
 E E R I A K N D C I W E H S D B A
 D R L A R A L G S O N O N T I L Y
 T O N T G B O Y A N O G R I E N E
 B R E A K E R I N R T R B B N C G
 S I T I H C N O R B S F B R E G L

"BR" Words

BR _____ BR _____
 BR _____ BR _____
 BR _____ BR _____
 BR _____ BR _____
 BR _____ BR _____

I found _____ "BR" words.

Six kids and two adults are going to the circus. Kid's tickets are on sale for only half the price of adult tickets. The total cost is \$66. How much is one kids ticket? How much is one adult ticket?

$$\begin{array}{r} 308 \\ + 201 \\ \hline \end{array}$$

$$\begin{array}{r} 31 \\ - 14 \\ \hline \end{array}$$

Draw a shape that has between four and five lines. The shape should have at least one line of symmetry. Show the line of symmetry using a dotted line.

11 x 7 =

$$\begin{array}{r} 676 \\ - 414 \\ \hline \end{array}$$

$$\begin{array}{r} 20 \\ + 24 \\ \hline \end{array}$$

Name: _____

Word Roots to Know:

tion

means state or quality
extraction
retraction
aviation

envi

means encircle
environmentalist
environment

ex

means out
exile
exit

glu

means keep a firm hold of something or tenacious
glutinous

Vocabulary is confusing. Get to the root of the problem with word roots! Here are the answers:

extraction • out • aviation • environmentalist • exit • retraction • glu

Word with the root: **tion** r r a r z r e t r a c t i o n d i
t t r e t r a c t i o n c i r t t

Word with the root: **ex** l k e x i i t h t c e x i t a n p
e x i t f i i b e x e e e x t i

Word with the root: **tion** r i x i e x t r a c t i o n r t n
r c y e x t r a c t i o n i e i p

The root: **ex** o l o u p x b j h t t w u u o u t
means u o c f o o n j o i t o u t t o e

This root means tenacious l l f s e k g g g l u d l t l i u
g f g u q x y l n g l u v w u r p

Word with the root: **tion** a v i a t o n a v i a t i o n g t
e f a v i a t i o n a v i a t o n

Word with the root: **envi** e n v i r o n m e n t a l i s t n
l e n v i r o n m e n t a l i s t

Name: _____

EMPYREAL	RIFE	TERMINATE
CONFIDENT	LEAVE	WELL
RENUNCIATION	DECLARE	RICOCHET
REPREHENSIBLE	LEATHER	DOLL
HEIGHT	AVERAGE	INCULPATE
APPARATUS	CABLE	PRINCE
		DISAPPOINT
		HARSH
		WAIF
		EDUCE
		SQUARE
		BLUFF

Circle the words that you know. I circled _____ words.

Use two of the words you know in a sentence.

Write five words that you don't know or want to know better.

Write three words that are probably overused by writers.

Circle words to the RIGHT or DOWN. Every letter is used exactly ONCE.

H A R S H E L R E N U N C I A T I O N
 I A T C S D E N I N A P P A R A T U S
 N I E O R H U A O D E C L A R E R I F E
 C D R N I E C V W D I S A P P O I N T L
 U S M F C H E E R A M P A V E R A G E E
 L Q I I O E R E P R E H E N S I B L E A
 P U N D C I D S W D T O P B L U F F W T
 A A A E H G E E A O S O P R I N C E E H
 T R T N E H B A I L E M P Y R E A L L E
 E E E T T T T L F L S P Y C A B L E L R

Name: _____

Emily is very secretive. She didn't tell her friend April how many points she got in the first round of the game. But April knows that Emily got 7,350 points in the second round, 1,800 in the third round, and that her average score is 4,100. Can you figure out how many points Emily got in the first round?

The sum of two consecutive numbers is 269. What are the two numbers?

Is 27 a composite or a prime number?

How many minutes are there from 5:45 p.m. until 6:00 p.m.?

Name the shape with three sides and three angles.

Name: _____

1 is what % of 15?

Find 78% of 107.

Write as a percent.

$$\frac{12}{15}$$

$$\frac{N}{4} = 9$$

$$3m = 15$$

$$9m = 45$$

Change $\frac{4}{10}$ to a decimal.

$$\begin{array}{r} 3.2 \\ \times 4 \\ \hline \end{array}$$

Change $\frac{1}{2}$ to a decimal.

$$-2 + 4 =$$

$$-46 + 32 =$$

$$6 + -5 =$$

$$2 - 3 - 1 =$$

$$18 + -5 = \underline{\quad}$$

$$16 - 3 = \underline{\quad}$$

$$18 - 5 = \underline{\quad}$$

$$16 + -3 = \underline{\quad}$$

Name: _____

$$4 + 2 + 7 + 9 + 4 =$$

$$\begin{array}{r} 942 \\ + 139 \\ \hline \end{array}$$

$$83 + 69 =$$

Write the reciprocal.

$$\frac{14}{13}$$

Write the reciprocal.

$$\frac{6}{2}$$

Write the reciprocal.

12

Find the product of 442
and 5.

$$\begin{array}{r} 47 \\ \times 14 \\ \hline \end{array}$$

$$\begin{array}{r} 26 \\ \times 9 \\ \hline \end{array}$$



What kind of angle is this?

Sketch 2 lines \overleftrightarrow{FG} and \overleftrightarrow{ST} that are
intersecting.

$$\begin{array}{r} 15.4 \\ - 12.634 \\ \hline \end{array}$$

$$\begin{array}{r} 2.32 \\ + 473.92 \\ \hline \end{array}$$

$$\begin{array}{r} 7.35 \\ + 8.83 \\ \hline \end{array}$$

Name: _____

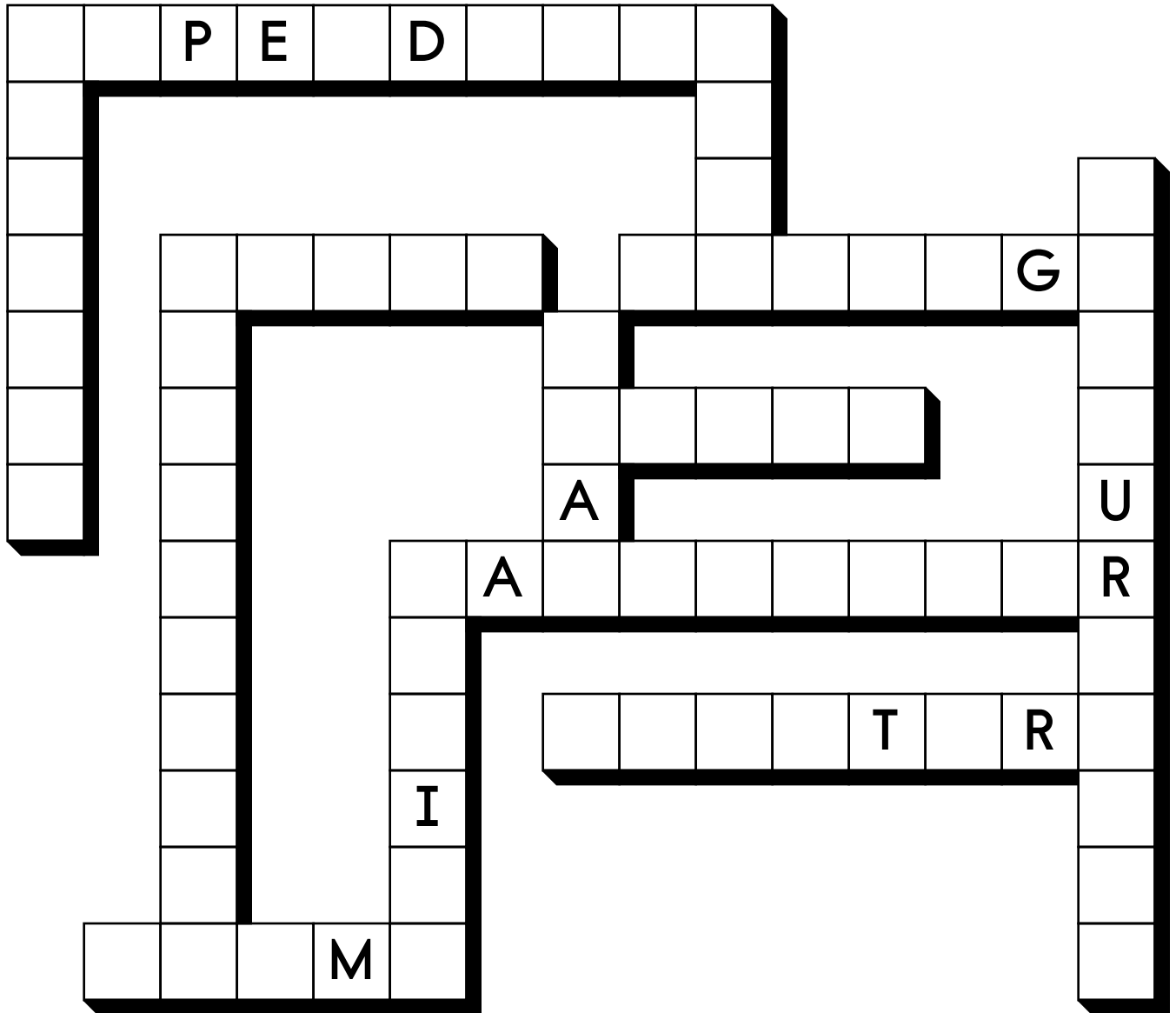
Mental break. Time to use a pencil for this more challenging page. Good luck! Fill in the missing numbers. How? The sum of the four surrounding numbers is in the center of each square. Exactly one of the four numbers has to be one of these numbers: 14.4, 26.9, or 13.5. The other three numbers have to all be DIFFERENT and must be from these: 8.3, 3.3, 6.2, 9.1, 2.1, 0.7, or 5.6.

	14.4		6.2					
		greater than 2.1		even		greater than 9.1		
9.1	33	3.3	23.7	13.5	29.5		30.4	8.3
						even		
	6.2		0.7		5.6		5.6	
			35.9		28.6		33.6	8.3
greater than 0.7		either 26.9 or 0.7		less than 8.3		odd		
	greater than 2.1	greater than 0.7		either 13.5 or 3.3		less than 26.9		
	44.7		43.7		24.5		43.5	
greater than 2.1		even		odd		either 0.7 or 2.1		
	either 9.1 or 6.2	either 9.1 or 3.3		odd		less than 14.4		
	22.5		28.9		25.4		35.1	
less than 9.1		odd		even		either 6.2 or 9.1		even
		less than 13.5		even		greater than 0.7		
	31.6		49.9					
odd		either 9.1 or 8.3				even		less than 6.2
	less than 14.4	either 14.4 or 26.9		even		odd		

Name: _____

RUMOR • EXIT • DESIGNS • WEAR • STORAGE • FRACTURE
POLICE • DEPENDENCE • EXILE • PARTICULAR • RESOURCEFUL
RETRACTION • GNOME

Write each word into the puzzle.



$6 \times 3 =$

$1 \text{ kg} = 1,000 \text{ g}$

$8 \text{ kg} = \text{_____} \text{ g}$

Insert a comma in the appropriate place in this sentence.

I want to talk to you but I'll leave you alone so you can do your homework.

Name: _____

Use each word ONCE. Cross off each word after it is used.

magnetic • outskirts • magnifying • environment • police
interpret • unaware • observing • interior • reign • extraction
retain • retraction • glutinous • dependents • indignant
dependence • environmentalist • failure • signs • gallery • designs
inhale • fracture • assigning

These words have "in" in them.

_____ i n _____
i n _____

These words have "ign" in them.

_____ i g n _____
_____ i g n _____

These words have "onmen" in them.

_____ o n m e n _____

These words have the short
e sound like in bed.

d e _____ s
_____ n _____

These words have "ract" in
them.

_____ r a c t _____

Fit the rest of the words into these shapes.

p [] [] i [] []

g a l [] [] [] []

[] [] [] [] [] [] [] []

[] [] [] [] [] [] [] []

Name: _____

prairie • interior • extraction • designs • tenth • wear

Each row, column, and box must have all the words from the word list. Write in the missing words.

		tenth			
			designs	extraction	
	interior	wear			
	designs	extraction	wear		
	wear		prairie		

Circle the smallest number:

40,851

1,273

823,069,751,496

780,254

27 cm = _____ mm

 In the number 21,938,349, the digit 8 is in what place?

 How many millimeters are in 2 centimeters?
_____ millimeters

 If you multiply 340×969 , you will have a number that is how much bigger than 170×323 ?

It will be seven times as big.

It will be five times as big.

It will be four times as big.

It will be six times as big.

It will be twice as big.

It will be nine times as big.

$$\begin{array}{r} 648 \\ - 172 \\ \hline \end{array}$$

$$\begin{array}{r} 94 \\ - 20 \\ \hline \end{array}$$

$$\begin{array}{r} 224 \\ + 287 \\ \hline \end{array}$$

Name: _____

Which way does each word go? Write the word.

<p>1. ← AWAY ↓ APPLIANCE → AMONG ↙ APT ↘ AHEAD</p>	<p>1. → FORBID ↙ FRY ↓ FURNITURE ← FUN ↘ FLIP</p> <p>2. DENSE ↘ DUMB DISTRESS DO DEED</p>																																																																																																																																
<table border="1" style="width: 100%; height: 100%; border-collapse: collapse;"> <tr><td style="width: 10%;"></td><td style="width: 10%;"></td><td style="width: 10%;"></td><td style="width: 10%; text-align: center;">1 A</td><td style="width: 10%;"></td><td style="width: 10%;"></td><td style="width: 10%;"></td><td style="width: 10%;"></td></tr> <tr><td style="background: repeating-linear-gradient(45deg, transparent, transparent 2px, black 2px, black 4px);"></td><td style="background: repeating-linear-gradient(45deg, transparent, transparent 2px, black 2px, black 4px);"></td><td style="text-align: center;">P</td><td></td><td style="background: repeating-linear-gradient(45deg, transparent, transparent 2px, black 2px, black 4px);"></td><td style="background: repeating-linear-gradient(45deg, transparent, transparent 2px, black 2px, black 4px);"></td><td style="background: repeating-linear-gradient(45deg, transparent, transparent 2px, black 2px, black 4px);"></td><td style="background: repeating-linear-gradient(45deg, transparent, transparent 2px, black 2px, black 4px);"></td></tr> <tr><td style="background: repeating-linear-gradient(45deg, transparent, transparent 2px, black 2px, black 4px);"></td><td style="text-align: center;">T</td><td style="background: repeating-linear-gradient(45deg, transparent, transparent 2px, black 2px, black 4px);"></td><td></td><td style="background: repeating-linear-gradient(45deg, transparent, transparent 2px, black 2px, black 4px);"></td><td style="background: repeating-linear-gradient(45deg, transparent, transparent 2px, black 2px, black 4px);"></td><td style="background: repeating-linear-gradient(45deg, transparent, transparent 2px, black 2px, black 4px);"></td><td style="background: repeating-linear-gradient(45deg, transparent, transparent 2px, black 2px, black 4px);"></td></tr> <tr><td style="background: repeating-linear-gradient(45deg, transparent, transparent 2px, black 2px, black 4px);"></td><td style="background: repeating-linear-gradient(45deg, transparent, transparent 2px, black 2px, black 4px);"></td><td style="background: repeating-linear-gradient(45deg, transparent, transparent 2px, black 2px, black 4px);"></td><td></td><td style="background: repeating-linear-gradient(45deg, transparent, transparent 2px, black 2px, black 4px);"></td><td style="background: repeating-linear-gradient(45deg, transparent, transparent 2px, black 2px, black 4px);"></td><td style="background: repeating-linear-gradient(45deg, transparent, transparent 2px, black 2px, black 4px);"></td><td style="background: repeating-linear-gradient(45deg, transparent, transparent 2px, black 2px, black 4px);"></td></tr> <tr><td style="background: repeating-linear-gradient(45deg, transparent, transparent 2px, black 2px, black 4px);"></td><td style="background: repeating-linear-gradient(45deg, transparent, transparent 2px, black 2px, black 4px);"></td><td style="background: repeating-linear-gradient(45deg, transparent, transparent 2px, black 2px, black 4px);"></td><td></td><td style="background: repeating-linear-gradient(45deg, transparent, transparent 2px, black 2px, black 4px);"></td><td style="background: repeating-linear-gradient(45deg, transparent, transparent 2px, black 2px, black 4px);"></td><td style="background: repeating-linear-gradient(45deg, transparent, transparent 2px, black 2px, black 4px);"></td><td style="background: repeating-linear-gradient(45deg, transparent, transparent 2px, black 2px, black 4px);"></td></tr> <tr><td style="background: repeating-linear-gradient(45deg, transparent, transparent 2px, black 2px, black 4px);"></td><td style="background: repeating-linear-gradient(45deg, transparent, transparent 2px, black 2px, black 4px);"></td><td style="background: repeating-linear-gradient(45deg, transparent, transparent 2px, black 2px, black 4px);"></td><td></td><td style="background: repeating-linear-gradient(45deg, transparent, transparent 2px, black 2px, black 4px);"></td><td style="background: repeating-linear-gradient(45deg, transparent, transparent 2px, black 2px, black 4px);"></td><td style="background: repeating-linear-gradient(45deg, transparent, transparent 2px, black 2px, black 4px);"></td><td style="background: repeating-linear-gradient(45deg, transparent, transparent 2px, black 2px, black 4px);"></td></tr> <tr><td style="background: repeating-linear-gradient(45deg, transparent, transparent 2px, black 2px, black 4px);"></td><td style="background: repeating-linear-gradient(45deg, transparent, transparent 2px, black 2px, black 4px);"></td><td style="background: repeating-linear-gradient(45deg, transparent, transparent 2px, black 2px, black 4px);"></td><td></td><td style="background: repeating-linear-gradient(45deg, transparent, transparent 2px, black 2px, black 4px);"></td><td style="background: repeating-linear-gradient(45deg, transparent, transparent 2px, black 2px, black 4px);"></td><td style="background: repeating-linear-gradient(45deg, transparent, transparent 2px, black 2px, black 4px);"></td><td style="background: repeating-linear-gradient(45deg, transparent, transparent 2px, black 2px, black 4px);"></td></tr> <tr><td style="background: repeating-linear-gradient(45deg, transparent, transparent 2px, black 2px, black 4px);"></td><td style="background: repeating-linear-gradient(45deg, transparent, transparent 2px, black 2px, black 4px);"></td><td style="background: repeating-linear-gradient(45deg, transparent, transparent 2px, black 2px, black 4px);"></td><td></td><td style="background: repeating-linear-gradient(45deg, transparent, transparent 2px, black 2px, black 4px);"></td><td style="background: repeating-linear-gradient(45deg, transparent, transparent 2px, black 2px, black 4px);"></td><td style="background: repeating-linear-gradient(45deg, transparent, transparent 2px, black 2px, black 4px);"></td><td style="background: repeating-linear-gradient(45deg, transparent, transparent 2px, black 2px, black 4px);"></td></tr> </table>				1 A							P							T																																															<table border="1" style="width: 100%; height: 100%; border-collapse: collapse;"> <tr><td style="width: 10%;"></td><td style="width: 10%;"></td><td style="width: 10%; text-align: center;">1 F</td><td style="width: 10%;"></td><td style="width: 10%;"></td><td style="width: 10%;"></td><td style="width: 10%;"></td><td style="width: 10%;"></td></tr> <tr><td style="background: repeating-linear-gradient(45deg, transparent, transparent 2px, black 2px, black 4px);"></td><td style="text-align: center;">R</td><td></td><td style="text-align: center;">2 D</td><td style="background: repeating-linear-gradient(45deg, transparent, transparent 2px, black 2px, black 4px);"></td><td style="background: repeating-linear-gradient(45deg, transparent, transparent 2px, black 2px, black 4px);"></td><td style="background: repeating-linear-gradient(45deg, transparent, transparent 2px, black 2px, black 4px);"></td><td style="background: repeating-linear-gradient(45deg, transparent, transparent 2px, black 2px, black 4px);"></td></tr> <tr><td style="text-align: center;">Y</td><td style="background: repeating-linear-gradient(45deg, transparent, transparent 2px, black 2px, black 4px);"></td><td></td><td></td><td></td><td style="text-align: center;">U</td><td style="background: repeating-linear-gradient(45deg, transparent, transparent 2px, black 2px, black 4px);"></td><td style="background: repeating-linear-gradient(45deg, transparent, transparent 2px, black 2px, black 4px);"></td></tr> <tr><td style="background: repeating-linear-gradient(45deg, transparent, transparent 2px, black 2px, black 4px);"></td><td style="background: repeating-linear-gradient(45deg, transparent, transparent 2px, black 2px, black 4px);"></td><td></td><td style="background: repeating-linear-gradient(45deg, transparent, transparent 2px, black 2px, black 4px);"></td><td></td><td></td><td style="text-align: center;">M</td><td style="background: repeating-linear-gradient(45deg, transparent, transparent 2px, black 2px, black 4px);"></td></tr> <tr><td style="background: repeating-linear-gradient(45deg, transparent, transparent 2px, black 2px, black 4px);"></td><td style="background: repeating-linear-gradient(45deg, transparent, transparent 2px, black 2px, black 4px);"></td><td></td><td style="background: repeating-linear-gradient(45deg, transparent, transparent 2px, black 2px, black 4px);"></td><td></td><td style="background: repeating-linear-gradient(45deg, transparent, transparent 2px, black 2px, black 4px);"></td><td style="background: repeating-linear-gradient(45deg, transparent, transparent 2px, black 2px, black 4px);"></td><td style="text-align: center;">B</td></tr> <tr><td style="background: repeating-linear-gradient(45deg, transparent, transparent 2px, black 2px, black 4px);"></td><td style="background: repeating-linear-gradient(45deg, transparent, transparent 2px, black 2px, black 4px);"></td><td></td><td style="background: repeating-linear-gradient(45deg, transparent, transparent 2px, black 2px, black 4px);"></td><td></td><td style="background: repeating-linear-gradient(45deg, transparent, transparent 2px, black 2px, black 4px);"></td><td style="background: repeating-linear-gradient(45deg, transparent, transparent 2px, black 2px, black 4px);"></td><td style="background: repeating-linear-gradient(45deg, transparent, transparent 2px, black 2px, black 4px);"></td></tr> <tr><td style="background: repeating-linear-gradient(45deg, transparent, transparent 2px, black 2px, black 4px);"></td><td style="background: repeating-linear-gradient(45deg, transparent, transparent 2px, black 2px, black 4px);"></td><td></td><td style="background: repeating-linear-gradient(45deg, transparent, transparent 2px, black 2px, black 4px);"></td><td></td><td style="background: repeating-linear-gradient(45deg, transparent, transparent 2px, black 2px, black 4px);"></td><td style="background: repeating-linear-gradient(45deg, transparent, transparent 2px, black 2px, black 4px);"></td><td style="background: repeating-linear-gradient(45deg, transparent, transparent 2px, black 2px, black 4px);"></td></tr> <tr><td style="background: repeating-linear-gradient(45deg, transparent, transparent 2px, black 2px, black 4px);"></td><td style="background: repeating-linear-gradient(45deg, transparent, transparent 2px, black 2px, black 4px);"></td><td></td><td style="background: repeating-linear-gradient(45deg, transparent, transparent 2px, black 2px, black 4px);"></td><td></td><td style="background: repeating-linear-gradient(45deg, transparent, transparent 2px, black 2px, black 4px);"></td><td style="background: repeating-linear-gradient(45deg, transparent, transparent 2px, black 2px, black 4px);"></td><td style="background: repeating-linear-gradient(45deg, transparent, transparent 2px, black 2px, black 4px);"></td></tr> </table>			1 F							R		2 D					Y					U									M									B																								
			1 A																																																																																																																														
		P																																																																																																																															
	T																																																																																																																																
		1 F																																																																																																																															
	R		2 D																																																																																																																														
Y					U																																																																																																																												
						M																																																																																																																											
							B																																																																																																																										

$\begin{array}{r} 34 \\ + 33 \\ \hline \end{array}$	<p>Maria wrote down a fraction on a piece of paper. If you take her fraction and multiply it by four you get seven. Can you guess what her fraction is?</p>	<p>$(4 + 5) + 7 =$</p>
		<p>12 lb = _____ oz</p>

<p>How many millimeters are in 3 centimeters?</p> <p>_____ millimeters</p>	<p>Circle the smallest number:</p> <p>208,940,527,613</p> <p>3,204</p> <p>586,971</p> <p>67,541,893</p>
<p>Add the correct end punctuation for this sentence.</p> <p>May I have a piece of your gum</p>	

Name: _____

1. ↙ PETTY
PILLOWS
PURSUE
POST
PLEDGE

2. ↓ STIMULATE
SIT
SO
SAW
SOLO

3. ADVISE
AS
AID
↗ AN
APT
AM

4. DYE
← DAILY
DIG

5. OIL
↘ OASIS
OWL

6. BE
↗ BIG
BURROW
BENEFITS
BEEN
BY

7. ↘ CREEP
CLUE
COACH
CRAZE
CLEAN

8. RUB
↖ ROLE
REFINE

		2							
							3	A	
			Y	L	I	A	4	D	
					5	O		V	
				W				I	
			L			6		S	
H	C	A	O	7	C			E	
				8	R				
					E				
							F		
								I	
									N
									E

$$\begin{array}{r} 28 \\ - 14 \\ \hline \end{array}$$

50 ÷ 5 = _____

Erin has two favorite numbers. If you add her favorite numbers, you get 23. If you multiply her favorite numbers, you get 120. What are her mystery numbers?

$$\begin{array}{r} 293 \\ + 217 \\ \hline \end{array}$$

$$\begin{array}{r} 836 \\ - 276 \\ \hline \end{array}$$

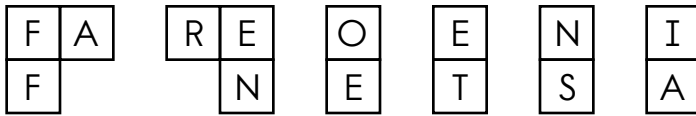
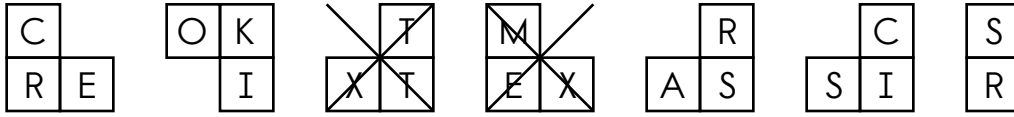
132 ÷ 12 = _____

6 x 5 = _____

What time is 17 hours after 2:00 a.m.?

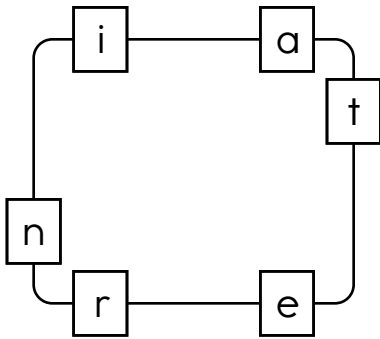
Name: _____

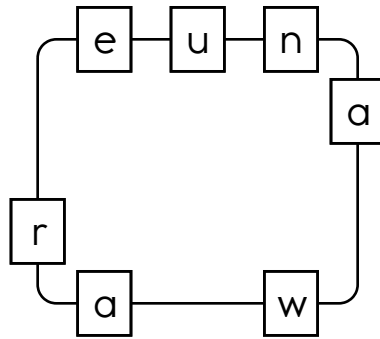
Use each of the blocks to spell seven of your spelling words.
Hint: The word exit is a word in the blocks.

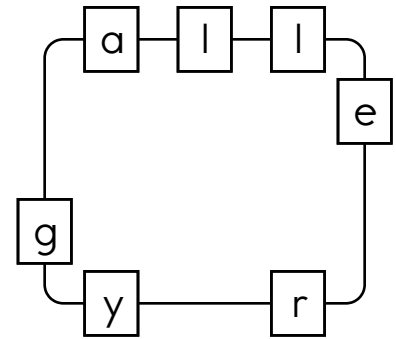


1.			T				R	T	S
2.		X	T		A				O
3.				L	U				
4.								M	
5.					T	U			
6.								E	X
7.					G				G

Write the hidden word. Start at one letter and then move either left or right. Continue in same direction.







$$\begin{array}{r} 34 \\ + 23 \\ \hline \end{array}$$

For 828,567,550, write the digit that is in the ten thousands place.

$$\begin{array}{r} 424 \\ + 335 \\ \hline \end{array}$$

$$\begin{array}{r} 308 \\ - 126 \\ \hline \end{array}$$

Name: _____

Circle the best synonym for each word. Hint: A dictionary might come in handy.

- | | | |
|----------------------|----------------|-------------|
| 1. retain | crush | keep |
| 2. interpret | gap | infer |
| 3. inhale | fade | gulp |
| 4. environment | background | dud |
| 5. unaware | unconscious | foe |
| 6. fracture | break | absurd |
| 7. rumor | tend | story |
| 8. numerous | plentiful | igloo |
| 9. wear | appraise | erosion |
| 10. glutinous | warehouse | sticky |
| 11. police | law | newborn |
| 12. indignant | annoyed | proportion |
| 13. gallery | balcony | thrilled |
| 14. represent | magnetism | denote |
| 15. resourceful | inventive | domesticate |
| 16. exile | separate | next |
| 17. magnetic | attractive | unhappy |
| 18. prairie | plain | mellow |
| 19. environmentalist | slaughter | green |
| 20. failure | disappointment | theater |

$\begin{array}{r} 616 \\ - 108 \\ \hline \end{array}$	Write a letter that has two or more lines of symmetry. _____	$48 \div 6 =$	$\begin{array}{r} 73 \\ - 42 \\ \hline \end{array}$
---	---	---------------	---

Ten kids and two adults are going to the circus. Kid's tickets are on sale for only half the price of adult tickets. The total cost is \$110. How much is one kids ticket? How much is one adult ticket?	What time is 14 hours after 4:00 a.m. _____
	$6 \times 5 =$

Name: _____

Words can be to the RIGHT, DOWN, LEFT, or UP. Every letter is used ONCE.

E N I I S E D D E P E N D E N T S
 X O N E D R B E W E X I L E E M O N G
 P I T R E U L R E S A Y S T O R A G E
 L N E U S T A U A O N B I R T H D A Y
 O H R L I C S T R M A G N I F Y I N G
 D A I I G A T P T N E M N O R I V N E
 E L O A N R E U E X I T E I R I A R P
 D E R F S F D R I N S U O N I T U L G

Write the words found.

<u>GLUTINOUS</u>	<u>PRAIRIE</u>	_____
_____	_____	_____
_____	_____	_____
_____	_____	_____
_____	_____	_____
_____	_____	_____
_____	_____	_____
_____	_____	_____

Can 553 be evenly divided by 6? Circle:

553 is evenly divisible by 6

553 is NOT evenly divisible by 6

$$\begin{array}{r} 26 \\ + 46 \\ \hline \end{array}$$

$$\begin{array}{r} 812 \\ - 307 \\ \hline \end{array}$$

$$\begin{array}{r} 41 \\ - 22 \\ \hline \end{array}$$

1 kg = 1,000 g

24 kg = _____ g

Circle the addition property
for $32 + 169 = 169 + 32$.

- associative property
- commutative property

Name: _____

Fill in the missing letters. Write ia or oi.

j_____n mater _____lism an _____nt _____ly
p_____no immed _____tely j _____ned guard _____n

Look at the chart.
The number 35 is in the
3rd column of the 1st row.

27	31	35	39	43
47	51	55	59	63
67	71	75	79	83
87	91	95	99	103

What number is in the
4th column of the 4th row?

If the pattern continues,
what number would go in the
4th column of the 6th row?

Compare the fractions. Write >, <, or =.

$\frac{6}{8} \bigcirc \frac{6}{9}$ $\frac{1}{10} \bigcirc \frac{10}{100}$
 $\frac{4}{9} \bigcirc \frac{5}{9}$ $\frac{3}{7} \bigcirc \frac{3}{6}$

On the line, write whether the group of
words is a sentence or a run-on.

When you don't know if you have
the energy to get up and do it all
again, that's when you have to
get up and do it all again, and
then you will see that you do have
the energy to get up and do it all
again.

Choose the correct form of the
pronoun and write it on the line.
The person (who/whom) you met
at my house is my grandmother.

Circle the addition property
for $21 + 46 = 46 + 21$.

- commutative property
- associative property

Erin was bored. She
asked her mother if she
could make cookies. Her
mother agreed, so Erin
got busy. She made 2
dozen oatmeal cookies
and 20 chocolate chip
cookies. How many
cookies did she make in
all?

$$\begin{array}{r} 45 \\ + 23 \\ \hline \end{array}$$

$$\begin{array}{r} 32 \\ - 20 \\ \hline \end{array}$$

$12 \times 7 =$

Insert a comma in the appropriate
place in this sentence.

I thought about which book to
choose for my report and I finally
decided on *Tom Sawyer*.

$1 \text{ cm} = 10 \text{ mm}$

$16 \text{ cm} = \text{_____} \text{ mm}$

Name: _____

Add the correct end punctuation for this sentence.
Go to your room immediately

Circle the greatest number:
2,975,348,061
34,872,619,705
12,950
7,503,468

$12 \div 4 =$

Use each of the letters to fill in the grid.
Write two words.

				R

N

D

I

E

E

E

V

$$\begin{array}{r} 327 \\ - 297 \\ \hline \end{array}$$

$$\begin{array}{r} 396 \\ + 449 \\ \hline \end{array}$$

Start with the number in the center and then either add, subtract, or multiply.
Look at the given sign in each puzzle to decide what to do.

-

-

+

+

X

X

Name: _____

Did you know that you don't always have to use the word **sad** in your writing? Try to use different words for an overused word like **sad**. It will make your work more fun for others to read.

Circle words to the RIGHT or DOWN. Every letter is used exactly ONCE.

B	R	O	K	E	N	H	E	A	R	T	E	D
	D	D	E	S	P	A	I	R	I	N	G	
M	B	E								M	S	
O	E	P								O	O	
U	R	R								R	M	
R	E	E								O	B	
N	A	S	W	I	S	T	F	U	L	S	E	
F	V	S	D	O	L	E	F	U	L	E	R	
U	E	E	D	E	S	P	O	N	D	E	N	T
L	D	D	M	E	L	A	N	C	H	O	L	Y

Write the words found.

MELANCHOLY _____

DESPONDENT _____

Write something using the word **sad** at least two times.

Now rewrite your boring writing without using the word **sad**.

I can't wait to read it!

Name: _____

One letter is missing from each word.

A R O M A

W A T

F R E E E

A N C S T O R

F U F I L L

H N T E R

J O L Y

These are a little harder with two letters missing.

I N T E R E

D R

A X

F A M Y

N E I G O R

P M

F R I D

R F O R

Write your own words!

Name: _____

Select the word or phrase whose meaning is closest to the given word.

<p>OMIT</p> <p>fleece leave out</p>	<p>OBESE</p> <p>gaunt corpulent</p>	<p>GLOWER</p> <p>smile scowl</p>
<p>CONNIVING</p> <p>rousing scheming</p>	<p>KNELL</p> <p>solemn ring storage space</p>	<p>OUST</p> <p>expand expel</p>
<p>VENERABLE</p> <p>revered scrutinized</p>	<p>INANE</p> <p>strange silly</p>	<p>VAGUE</p> <p>limpid unclear</p>

Now find the given words AND the answers in the word search. If you can't find an answer, you might be wrong.

L L U G R E N A N I O W L D W R S O O M U N C L E A R O B E S E W K
 E E N N S E N R E I U O O E L R R A S O L E M N R I N G I N L E U F
 S L P I R C A A R M S M L E D E S K M N R D S H S C H E M I N G L C
 L U B X V G O E R X T V A G U E E E L U C O R P U L E N T G M I E R
 N I N A E E E W R N E R G N R T O B W C N A O U O S E R W C R E P N
 O D O R R V T D L U U T U O E V A E L O V G O I Y R C G T I M O O N
 N G N V U E R O L N N X T E W E E P E U N A L E P O Y L L E E M I L
 V W N E A C N E M U G G E V O O L K E D R N K O S E V S R G L R G R
 L L U S E K N E L L B E E N L M R E S E C C O N N I V I N G I O I S
 C S I L L Y C A V R L A O C G N M R E V E R E D E O N P J N L L O N