

directly

introversion

consoled

carriage

word root inter means between

mothers

word root nov means new

reddest

chirp

novice

conversion

equivalent

reinforce

Word Study

library

durable

nestled

perpetual

extroversion

Week of _____

receiving

shortsighted

dormitory

pi

novelty

teased

evident

novel

word root vers means turn

sequence

addressed

acrobat

acrobatic

inhabit

international

pie

descriptions

incident

dejected

luxury

achieved

word root acro means height

My Name: _____

Your Words

Pick 3 to do:

- page 1
- page 2
- pages 3-4
- page 5

Math Break

Pick 1 to do:

- page 8
- page 9
- page 10
- page 11
- page 12
- page 13

Spelling Workout

Pick 5 to do:

- page 14
- page 15
- page 16
- page 17
- page 18
- page 19
- page 20

Challenge Words

Pick 2 to do:

- page 24
- page 25
- page 26

Vocabulary

Do all of these:

- page 6
- page 7

ED Words

Pick 2 to do:

- page 27
- page 28
- page 29

Spelling Break

Pick 1 to do:

- page 21
- page 22
- page 23

Name: _____



pie • acrobatic • descriptions • dormitory • novel • dejected • surprise
acquire • library • consoled • shortsighted • pi • receiving • reinforce
sheepish • teased • carriage • evident • different • luxury • sequence
durable • nestled • inhabit • chirp • reddest • introversion • mothers
incident • perpetual • international • equivalent • achieved • novelty
conversion • addressed • directly • extroversion • novice • acrobat

Write four words that you are unable to define.

Write ten of the most difficult words to spell.

Write eight words that you have not yet written.

Name: _____

Finding Words Multiple Times

Look for words to the RIGHT, to the LEFT, UP, or DOWN.

E G Y N E P E R P E T U A L D
 E F L R A T N E R E F F I D E
 I T A D I D I F F E R E N T L
 T A N S T N E L A V I U Q E T
 L R E T T N E L A V I U Q E S
 A I E L S E V Y R A R B I L E
 U T I A U C Q R P I I P P I N
 T S N C R N P E R P E T U A L
 E E H R P E D Y R A R B I L N
 P D A O R U D I R E C T L Y O
 R D B B I Q E C N E U Q E S V
 E E I A S E L R E D D E S T E
 P R T T E S B T S E D D E R L

Answers for blanks: **1 1 1 1 1 1 2 3 3 2**

I found NOVEL ____ time(s).

I found PERPETUAL ____ time(s).

I found SEQUENCE ____ time(s).

I found NESTLED ____ time(s).

I found EQUIVALENT ____ time(s).

I found REDDEST ____ time(s).

I found SURPRISE ____ time(s).

I found ACROBAT ____ time(s).


I found INHABIT ____ time(s).

I found DIRECTLY ____ time(s).

Name: _____

Picture Dictionary

Draw a picture of 11 of your words. Write the word in cursive.



EXAMPLE. laughed

1. _____

2. _____

3. _____

4. _____

5. _____

Name: _____

6. _____

7. _____

8. _____

9. _____

10. _____

11. _____

Name: _____

K P I K S K I L L F U L S D I K S
 D E M M I K S K Y R O C K E T M K
 D E M M I K S K R D S S E I K S I
 S T S S K I P P E D E K E K N K N
 K H G S T E L L I K S T I S S I N
 I G T K K S K E T C H Y A M K R Y
 I I S I P S K I M M I N G K I T I
 N L K L K L L U K S S K I T S I L
 G Y U L T S K I D D E D S K I N S
 B K N S I K S K K S K I E D E G K
 S S K I L L F U L S S K A T E D I
 Y S K U L L S K I N S K I R T E D
 P G N I H C T E K S S K I N N E D

"SK" Words

SK _____ SK _____
 SK _____ SK _____
 SK _____ SK _____
 SK _____ SK _____
 SK _____ SK _____
 SK _____ SK _____
 SK _____ SK _____

I found _____ "SK" words.

$2,649 - 1,781 =$ _____

Write an equation to represent this:

The difference between twenty and four is sixteen.

Rewrite these in increasing order of length:

926 cm, 668 m, 326 mm, 3 dm, 72 km

23 lb = _____ oz

$$\begin{array}{r} 200 \\ + 405 \\ \hline \end{array}$$

$5 \times 9 =$ _____

1 kg = 1,000 g

26 kg = _____ g

Anna rolls a die. What is the chance of her rolling a 2?

$72 \div 9 =$ _____

Name: _____

Word Roots to Know:

nov

means new

novice

novelty

vers

means turn

introversion

extroversion

conversion

inter

means between

international

acro

means height

acrobatic

Vocabulary is confusing. Get to the root of the problem with word roots! Here are the answers:

vers • turn • conversion • international • introversion • new • extroversion

Word with n n u b e m v c o n v e r s i o n r

the root: vers i a y o s c o n v e r s i o n s r o

The root: vers n t u r n u d t u r r n r s r a t t

means n r t u r n n u h t c r r d t u e n

Word with t t o u e x t r o v e r s i o n s s

the root: vers t k u r x e e x t r o v e r s i o n

The root: nov u n w n u o h n b n e w x w e k r v

means n u o e x e n b n r e j n e w w v d

Word with i i n t e r n a t i o n a l n e b t

the root: inter n z g h i i n t e r n a t i o n a l

Word with r x e i n t r o v e r s i o n i r o

the root: vers i n t r o v e r s i o n n x s z e s

This root h r s r c g e e r v v v e r s v o v

means turn k v s o z r r v u v v e r s w v s e

Name: _____

Use any of these digits. Cross off a digit after you use it. You do not need to use all of the numbers.

4**1****9****6****2****0**

The sum of these two numbers is 35. Write the equation.

I am a whole number. One of my factors is 71. One of my digits is 5. I am less than 400. I am greater than 300. What number am I?

I am the smallest whole number that rounds to 100 when rounding to the nearest ten.

Name: _____

$63 \frac{2}{4}$	$-\frac{4}{6}$			$-\frac{3}{6}$		-36
		-9	$-6 \frac{3}{4}$			
						$-\frac{1}{4}$
$-\frac{1}{4}$		-33	$-\frac{3}{4}$		$-\frac{1}{4}$	
			$118 \frac{11}{12}$			
$-7 \frac{4}{6}$			$+59$		-2	
$+19$		$+46$	-18		$+15$	$-3 \frac{2}{4}$
						$83 \frac{11}{12}$

Mr. Thompson made a pot of tea at his restaurant. The pot holds 15 servings of tea. If each serving is $3 \frac{2}{3}$ oz, how many ounces of tea does the pot hold?

The average person in the United States consumes 4.8 kg of chocolate every year. Hunter eats 2 oz of chocolate every day. How many more pounds of chocolate per year does Hunter eat than the average? (1 kg = 2.2 lb)

$12 \times 7 = \underline{\hspace{2cm}}$

Name: _____

What is the least common multiple of 8, 18, and 32?

$$y - 10 = 9$$

What is the least common multiple of 12 and 7?

What is the least common multiple of 5 and 9?

What is the greatest common factor of 18 and 12?

$$x + 27 = 34$$

Is the least common multiple of 10 and 6 smaller, equal to, or greater than the greatest common factor of 10 and 6?

Write all the factors for the number 9.

$$\underline{\quad} - 12 = 17$$

What is the missing number?

$$10 - x = 4$$

What is the greatest common factor of 5 and 15?

$$9 + n = 48$$

Name: _____

Find 2 equations hidden in each box. Good luck!

$10 + 4 \times 10$

$(7 + 1) \times 9$

50

9

$1 + (1 \times 7)$

1

$5 - 1 - 4$

$3 + 5 + 1$

Write 2 equations: _____

$5 + 1 + 2$

6

$12 + 2 \times 7$

8

16

0

$3 + 6 - 9$

1

Write 2 equations: _____

$4 \times 10 \times 2$

7

$12 - 3 \times 3$

$9 + 4 - 9$

4

$5 - 2$

$8 - 1$

$8 + 5 + 2 (3 + 1)$

Write 2 equations: _____

Name: _____

Find 2 equations hidden in each box. Good luck!

$8 + 4 - 2$

66

7

$9 + 11 + 9$

10

29

$6 - 3 - 2$

114

Write 2 equations: _____

$1 + 8 - 2$

$(8 \times 8) - 2$

$4 - 1 + 2$

7

62

12

2

324

Write 2 equations: _____

$5 - 2 - 2$

18

$1 + 9 - 3$

$2 + 9 + 7$

16

1

Write 2 equations: _____

Name: _____

The vowels are missing in the word search.
Fill in the missing vowels and circle the words.

□	N	R	N	□	S	□	□	S	R
□	□	□	D	Q	U	P	□	P	R
□	V	C	L	□	R	□	V	□	S
N	□	□	□	□	P	R	□	□	H
H	L	□	N	V	R	P	D	N	□
□	T	V	□	□	I	□	□	□	□
B	Y	□	V	L	S	T	N	V	P
□	X	N	□	□	E	□	T	□	□
T	H	G	L	N	Y	□	N	C	S
□	V	P	□	T	□	L	□	□	H

EQUIVALENT • PERPETUAL • NOVEL
EVIDENT • RECEIVING • PI
NOVICE • NOVELTY • SHEEPISH • PIE
SURPRISE • INHABIT

A E O V N O V E L T Y P N R D Y I
S L A E C O N V E R S I O N N R G
C H P C S A C Q U I R E I E O U N
I P E I R I M O T H E R S Q I X I
T I R E N O R U L E A N R U S U V
A E P L P C B P E I I T E I R L I
B P E B I I I A R I C E V V E I E
O R T A D I S D T U P N O A V N C
R I U R N T E H E O S O R L O H E
C H A U I E E E T N I V T E R A R
A C L D E V I D E N T I X N T B O
C N O V E L E I P I E C E T N I R
O D L A N O I T A N R E T N I T C

MOTHERS • SHEEPISH • EXTROVERSION
CONVERSION • ACROBAT • NOVELTY
PIE • LUXURY • CHIRP • SURPRISE
INCIDENT • ACQUIRE
INTERNATIONAL • INHABIT • EVIDENT
RECEIVING • DURABLE • PI
ACROBATIC • EQUIVALENT • NOVICE
PERPETUAL • NOVEL • INTROVERSION

Circle the smallest number:
972,083,564
35,890,276,412
679,583,401,108
8,372,106,459

$3,442 - 2,327 = \underline{\hspace{2cm}}$

1 cm = 10 mm
17 cm = $\underline{\hspace{1cm}}$ mm

How many feet are in 84 inches?
 $\underline{\hspace{2cm}}$ feet

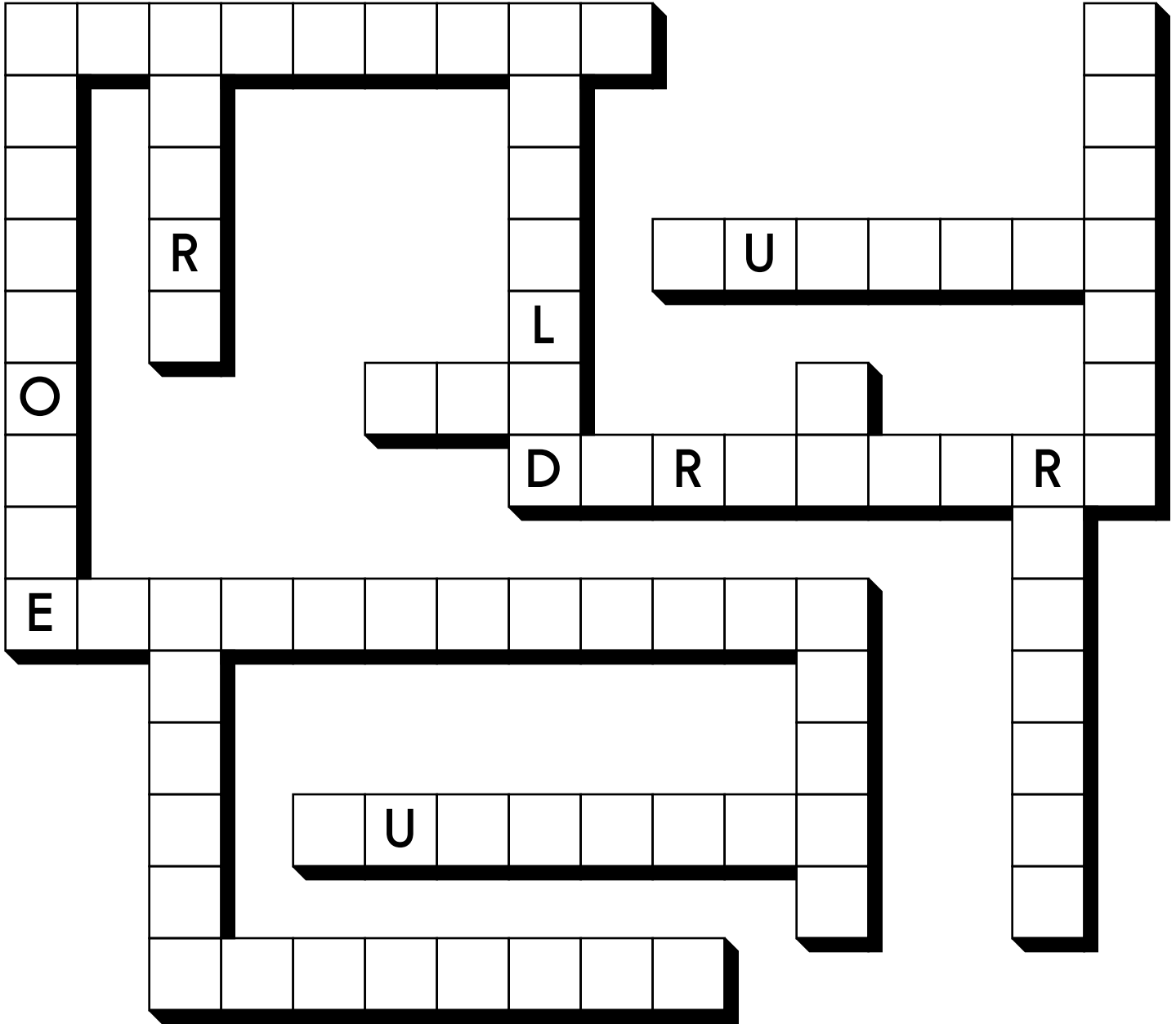
$(6 + 5) + 2 =$

Rewrite these in increasing order of length:
19 km, 498 mm, 267 cm, 8 m, 146 dm

Name: _____

NOVELTY • REDDEST • DEJECTED • TEASED • PIE • CHIRP
SURPRISE • REINFORCE • NESTLED • PI • DURABLE • DORMITORY
EXTROVERSION • RECEIVING • NOVEL

Write each word into the puzzle.



$10 \div 5 = \underline{\quad}$

Name: _____

Use each of the blocks to spell eight words.
Hint: The word mothers is a word in the blocks.

A L E D S E A B E ~~D~~ R A
~~O~~ ~~N~~ D

O T H P I U R ~~L E~~ ~~S~~ S
E R P I B ~~R~~ ~~T U~~ L

Y ~~O~~ R I D
T ~~P~~ ~~E~~ C E L

1.						L	E		2.			
3.						R			4.	P		
5.			D		E							
6.		O	N									
7.	M	O					S					
8.	P	E	R			T	U					

Circle the words.

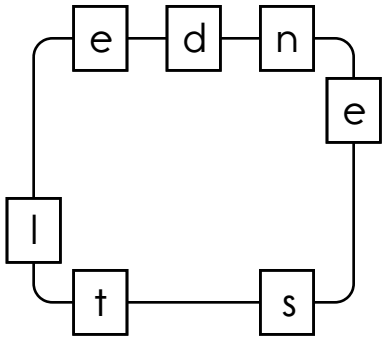
carriage acquire perpetual consoled novel typinovice
 durable directly acquire reinforce pichirp novicelibrary
 directly durable inhabit consoled novel typinovicelibrary

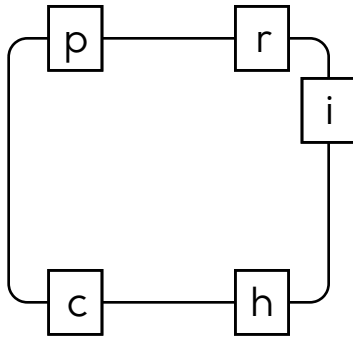
Circle the smallest number:

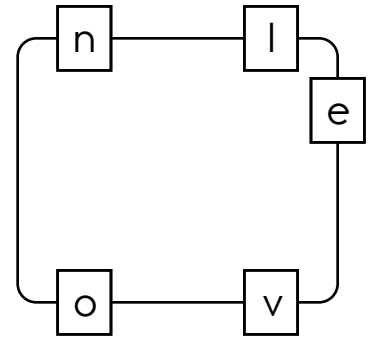
69,854,237,017 9,480 257,163 759,301,684	$6 \times 2 = \underline{\hspace{2cm}}$	$\begin{array}{r} 27 \\ + 47 \\ \hline \end{array}$
---	---	---

Name: _____

Write the hidden word. Start at one letter and then move either left or right. Continue in same direction.







Circle the words.

consoledlibrarydejectedshortsightednoveltyluxury
inhabitlibraryshortsightedpienoveltynoveltyluxury
dejectedconsolednoveltyluxurydescriptionsluxurypie

$851 + 326 =$ _____

Circle the digit in the tenths place.

4,533.2866

$$\begin{array}{r} 911 \\ - 618 \\ \hline \end{array}$$

If you divide 70 by 4, you get a remainder of 2.
Make up three other different equations where you divide by 4 and get a remainder of 2.

$24 \div 6 =$ _____

$$\begin{array}{r} 84 \\ - 59 \\ \hline \end{array}$$

$2 \times 8 =$ _____

Name: _____

Which way does each word go? Write the word.

<p>1. → FEW ↓ FRACTURES ↙ FLEETS ← FAITHS ↘ FUN</p>	<p>1. → SKEIN ← SHED ↘ SCENT ↓ SURGEON ↙ SOLO</p> <p>2. ↙ MIGHTY MET ME MAP MECHANISM</p>																																																																																																																																																								
<table border="1" style="margin: auto; border-collapse: collapse;"> <tr><td></td><td></td><td></td><td></td><td></td><td style="text-align: center;">F</td><td></td><td></td></tr> <tr><td style="background-color: #cccccc;"></td><td style="background-color: #cccccc;"></td><td style="background-color: #cccccc;"></td><td style="background-color: #cccccc;"></td><td></td><td style="text-align: center;">R</td><td></td><td style="background-color: #cccccc;"></td></tr> <tr><td style="background-color: #cccccc;"></td><td style="background-color: #cccccc;"></td><td style="background-color: #cccccc;"></td><td></td><td style="background-color: #cccccc;"></td><td style="text-align: center;">A</td><td style="background-color: #cccccc;"></td><td></td></tr> <tr><td style="background-color: #cccccc;"></td><td style="background-color: #cccccc;"></td><td style="background-color: #cccccc;"></td><td style="background-color: #cccccc;"></td><td style="background-color: #cccccc;"></td><td style="text-align: center;">C</td><td style="background-color: #cccccc;"></td><td style="background-color: #cccccc;"></td></tr> <tr><td style="background-color: #cccccc;"></td><td></td><td style="background-color: #cccccc;"></td><td style="background-color: #cccccc;"></td><td style="background-color: #cccccc;"></td><td style="text-align: center;">T</td><td style="background-color: #cccccc;"></td><td style="background-color: #cccccc;"></td></tr> <tr><td></td><td style="background-color: #cccccc;"></td><td style="background-color: #cccccc;"></td><td style="background-color: #cccccc;"></td><td style="background-color: #cccccc;"></td><td style="text-align: center;">U</td><td style="background-color: #cccccc;"></td><td style="background-color: #cccccc;"></td></tr> <tr><td style="background-color: #cccccc;"></td><td style="background-color: #cccccc;"></td><td style="background-color: #cccccc;"></td><td style="background-color: #cccccc;"></td><td style="background-color: #cccccc;"></td><td style="text-align: center;">R</td><td style="background-color: #cccccc;"></td><td style="background-color: #cccccc;"></td></tr> <tr><td style="background-color: #cccccc;"></td><td style="background-color: #cccccc;"></td><td style="background-color: #cccccc;"></td><td style="background-color: #cccccc;"></td><td style="background-color: #cccccc;"></td><td style="text-align: center;">E</td><td style="background-color: #cccccc;"></td><td style="background-color: #cccccc;"></td></tr> <tr><td style="background-color: #cccccc;"></td><td style="background-color: #cccccc;"></td><td style="background-color: #cccccc;"></td><td style="background-color: #cccccc;"></td><td style="background-color: #cccccc;"></td><td style="text-align: center;">S</td><td style="background-color: #cccccc;"></td><td style="background-color: #cccccc;"></td></tr> </table>						F								R								A								C								T								U								R								E								S			<table border="1" style="margin: auto; border-collapse: collapse;"> <tr><td style="text-align: center;">D</td><td style="text-align: center;">E</td><td style="text-align: center;">H</td><td style="text-align: center;">S</td><td></td><td></td><td></td><td></td></tr> <tr><td style="background-color: #cccccc;"></td><td style="background-color: #cccccc;"></td><td></td><td></td><td></td><td style="text-align: center;">M</td><td></td><td></td></tr> <tr><td style="background-color: #cccccc;"></td><td></td><td style="background-color: #cccccc;"></td><td></td><td></td><td style="text-align: center;">E</td><td></td><td style="background-color: #cccccc;"></td></tr> <tr><td></td><td style="background-color: #cccccc;"></td><td style="background-color: #cccccc;"></td><td></td><td style="background-color: #cccccc;"></td><td style="text-align: center;">C</td><td></td><td></td></tr> <tr><td style="background-color: #cccccc;"></td><td></td><td style="background-color: #cccccc;"></td><td></td><td style="background-color: #cccccc;"></td><td style="text-align: center;">H</td><td style="background-color: #cccccc;"></td><td></td></tr> <tr><td></td><td style="background-color: #cccccc;"></td><td style="background-color: #cccccc;"></td><td></td><td style="background-color: #cccccc;"></td><td style="text-align: center;">A</td><td style="background-color: #cccccc;"></td><td style="background-color: #cccccc;"></td></tr> <tr><td></td><td style="background-color: #cccccc;"></td><td style="background-color: #cccccc;"></td><td></td><td style="background-color: #cccccc;"></td><td style="text-align: center;">N</td><td style="background-color: #cccccc;"></td><td style="background-color: #cccccc;"></td></tr> <tr><td style="background-color: #cccccc;"></td><td style="background-color: #cccccc;"></td><td style="background-color: #cccccc;"></td><td></td><td style="background-color: #cccccc;"></td><td style="text-align: center;">I</td><td style="background-color: #cccccc;"></td><td style="background-color: #cccccc;"></td></tr> <tr><td style="background-color: #cccccc;"></td><td style="background-color: #cccccc;"></td><td style="background-color: #cccccc;"></td><td></td><td style="background-color: #cccccc;"></td><td style="text-align: center;">S</td><td style="background-color: #cccccc;"></td><td style="background-color: #cccccc;"></td></tr> <tr><td style="background-color: #cccccc;"></td><td style="background-color: #cccccc;"></td><td style="background-color: #cccccc;"></td><td></td><td style="background-color: #cccccc;"></td><td style="text-align: center;">M</td><td style="background-color: #cccccc;"></td><td style="background-color: #cccccc;"></td></tr> </table>	D	E	H	S										M								E								C								H								A								N								I								S								M		
					F																																																																																																																																																				
					R																																																																																																																																																				
					A																																																																																																																																																				
					C																																																																																																																																																				
					T																																																																																																																																																				
					U																																																																																																																																																				
					R																																																																																																																																																				
					E																																																																																																																																																				
					S																																																																																																																																																				
D	E	H	S																																																																																																																																																						
					M																																																																																																																																																				
					E																																																																																																																																																				
					C																																																																																																																																																				
					H																																																																																																																																																				
					A																																																																																																																																																				
					N																																																																																																																																																				
					I																																																																																																																																																				
					S																																																																																																																																																				
					M																																																																																																																																																				

<p>Amy rolls a die. What is the chance of her rolling a 1?</p> <p>_____</p>	$\begin{array}{r} 37 \\ + 45 \\ \hline \end{array}$	<p>$(5 + 8) + 5 =$</p>
---	---	-----------------------------------

<p>$89,636 - 52,153 =$ _____</p> <p>Rewrite these in increasing order of length:</p> <p>683 mm, 258 dm, 9 cm</p>	<p>Emily is giving out candy, but you need to guess her favorite number if you want some. Her favorite number has three digits. One digit in her number is two. The hundreds digit is 2 more than the units digit. The units digit is 4 more than the tens digit. The three digits add up to sixteen.</p> <p>Are you going to get candy?</p>
---	--

Name: _____

1. SLY
 ▼ SANCTIONS
 SOLVE
 SKY
 SKEPTIC

3. AT
 ALLEY
 AGAIN
 ← AROMA
 AVIARY

4. LOW
 ↘ LIE
 LEGIBLE
 LOT

6. AM
 ACHE
 ▼ AN
 ATE

7. SHY
 SUE
 SCENT
 ← SAD
 SHE
 STEREOS

2. ORGANIZATION
 ONLY
 ← OUTFIT

5. ← LED
 LATITUDES

8. BEAN
 BAN
 ▼ BRISK
 BE
 BASK
 BAD
 BONE

9. → OASIS
 ON
 OF
 OLD

10. → HEW
 HOT
 HE
 HER

							1			
						2				
			3	A						
			4	L						
		5	L		I		6	A	T	E
	E					E				
Y										
							7	S		
									H	
				8						Y
		9						E		
								10	H	

Holly cannot open her locker. She knows that the three numbers are: 1, 30, and 27, but she cannot remember the order of the numbers. How many different combinations are there? List ten of them.

$$\begin{array}{r} 87 \\ - 65 \\ \hline \end{array}$$

15 ÷ 3 = _____

$$\begin{array}{r} 202 \\ + 261 \\ \hline \end{array}$$

$$\begin{array}{r} 766 \\ - 339 \\ \hline \end{array}$$

Name: _____

Words can be to the RIGHT, DOWN, LEFT, or UP. Every letter is used ONCE.

E T S D D T E A S E D C P
 T C Y N U M I E N O V E L T Y O I P
 A N R E R O R T E R I U Q C A N E I
 B E A D P T E C N O V I C E S L C
 O U R I R H C E N E S T L E D O E H
 R Q B C I E T J E L B A R U D L V I
 C E I N S R L E L U X U R Y E O R
 A S L I E S Y D T N E D I V E D N P

Write the words found.

<u>CHIRP</u>	<u>NOVEL</u>	_____	_____
_____	_____	_____	_____
_____	_____	_____	_____
_____	_____	_____	_____
_____	_____	_____	_____

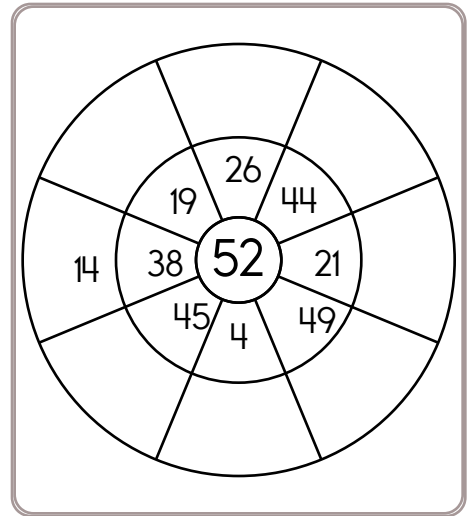
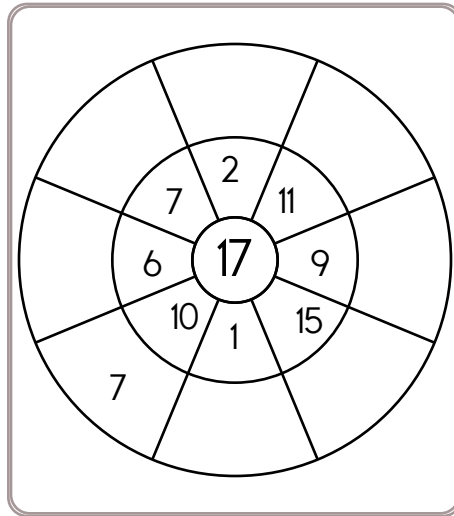
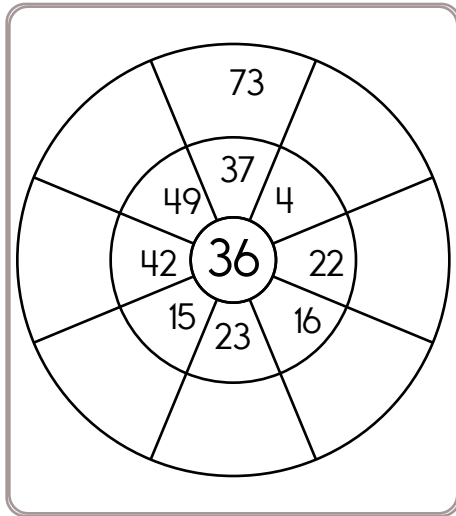
<p>Jason has two nickels and one dime. He also has one other coin that is different from the rest of his coins. How much could he have?</p>	<p>Circle the greatest number:</p> <p>9,540 863,721</p> <p>842,560,937,115 60,478</p>
---	---

$\begin{array}{r} 569 \\ - 326 \\ \hline \end{array}$	<p>$55 \div 11 = \underline{\hspace{2cm}}$</p> <p>$5 \times 3 = \underline{\hspace{2cm}}$</p>	<p>Rewrite these in increasing order of length:</p> <p>339 mm, 116 m, 766 cm, 7 dm, 59 km</p>
---	---	---

<p>$42,726 - 15,227 = \underline{\hspace{2cm}}$</p>	<p>Maria rolls a die. What is the chance of her rolling a 4?</p> <p>_____</p>
--	---

Name: _____

Start with the number in the center and then either add or subtract.



The vowels are missing in the word search.
Fill in the missing vowels and circle the words.

H □ S P □ T □ L B R
 N C L □ D G □ H R □
C **L** **O** **T** **H** **E** □ □ □
 □ R R □ G □ N T S G
 T □ C □ R C □ S K N
 T □ □ N T □ R □ □ R
 □ C □ P □ B L □ T G
 □ M N □ D □ □ B L □
 R □ L □ G □ □ □ S □
 □ S □ N C T □ □ R Y

- CAPABLE • BRISK • CLOTHE
 ARROGANT • RELIGIOUS • HOSPITAL
 DOUBLE • REIGN • INTERIOR
 CIRCUS • LEDGE • SANCTUARY

Erin bought some candy. It tasted just like black cow root beer floats! She had 60 pieces of candy. She gave 5 pieces of candy to each of 3 friends. She gave $\frac{3}{5}$ of the rest of the candy to her sister. How many pieces of candy did she have left?

Name: _____

Did you know that you don't always have to use the word **tricked** in your writing? Try to use different words for an overused word like **tricked**. It will make your work more fun for others to read.

Circle words to the RIGHT or DOWN. Every letter is used exactly ONCE.

	H	B				S					
	O	O	A			M	W				
B	U	D	O	M		I	I				
E	T	E	D	B		S	N				
G	W	C	W	O		L	D				
U	I	E	I	O		E	L				
I	T	I	N	Z		D	E				
L	T	V	K	L	F	O	O	L	E	D	D
E	E	E	E	E	S	C	A	M	M	E	D
D	D	D	D	D		D	U	P	E	D	

Write the words found.

<u>DUPED</u>	<u>SCAMMED</u>	_____
_____	_____	_____
_____	_____	_____
_____	_____	_____

Write something using the word **tricked** at least two times.

Now rewrite your boring writing without using the word **tricked**.

I can't wait to read it!

How many words do you think it takes to improve your writing?

Fifty. That's 50! There are about 50 overused words we often use in writing and conversations.

When you find yourself repeating, try something different. It doesn't take much work to sound amazing!

Name: _____

One letter is missing from each word.

R I O T

G E T U R E

A W K E

P R D I C T

C A E

C G E

A D R E S S

A X L

M O V

These are a little harder with two letters missing.

C A U O U S

M T E R

P A R N

N E I T R

E X P T

S E A M

L R C

Write your own words!

Name: _____

Circle words to the RIGHT or DOWN. When you are done, use the letters that are left to find a mystery word. Put a square around each letter left over. The first 2 letters that do not form a word are rectangled.

```

R A I L W A Y P E A C E A B L E
  A P R E Q U I R E M E N T
    C V R C I N V I T A T I O N
  I G F A E O T N S R E A P P
N E A I F N H O C D H R E A
S O C L E F E X A I E A O A R
I L T A R L A I R T O C R U S T
S O O B R I T O L R H D S A N
T G R L E C E U E O Y E N E
S Y Y E D T R S T A D M I T T R
    
```

Write the words found.

_____	_____	_____
_____	_____	_____
_____	_____	_____
_____	_____	_____
_____	_____	_____
_____	_____	_____
_____	_____	_____

The secret word is all that is left. It consists of all the letters that did not form a word. What is it?

C	R						
---	---	--	--	--	--	--	--

Using the words from the puzzle, write a different word on each line. Explain what it means.

1. _____
2. _____
3. _____
4. _____
5. _____

Name: _____

Select the word or phrase whose meaning is closest to the given word.

<p>QUELL</p> <p>write out suppress lengthen</p>	<p>DYNAMIC</p> <p>energetic stagnant explosive</p>	<p>SAGE</p> <p>herbal wise genius</p>
<p>NOXIOUS</p> <p>harmful contemporary elaborate</p>	<p>NADIR</p> <p>zenith lowest point flat</p>	<p>LURID</p> <p>graphic drastic clear</p>
<p>SQUANDER</p> <p>salvage disparage waste</p>	<p>ENIGMATIC</p> <p>insensitive entertaining cryptic</p>	<p>FATAL</p> <p>deadly temporary indefinite</p>

Now find the given words AND the answers in the word search. If you can't find an answer, you might be wrong.

G R E R E N A P H S P D A C E D C D U A I N E L E A S R G R O D N I
 S S S U R P T S L I R Y S I L I M D Y F P E C S N E D F R R G E E V
 Q U N Q S E D T C U R N E S D S M I I A E S W N A A U S A E N L N D
 U O W N R L R R I P F A S D E H C C R Y P T I C E M D I P U R A I L
 A I A S G I E I N S N M N D R S I R P O E O M D A I U T H T T E G U
 N X S R R E U C D E C I R P A L I E N E R G E T I C A P I S N R M H
 D O H I N R X E Y A C C I A T R N W E F A T A L J U D I C D Q A A S
 E N O H E N I L A R N P N W H A O E S U P P R E S S L U R I D P T W
 R L O W E S T P O I N T F C T L T L L E U Q S T A G I P L E R S I N
 S A D E A D L Y A A E T S A W E S W S A G E D T R I E R G S Y L C R

Name: _____

ED Words

ED makes /EHd/ sound

N I C Y R A T N E M I D E S B E I
 C D I R M E D I T A T I N G N D N
 R N D E M T G S B E D T I M E I C
 E F E D E R A L H G B E R B E B R
 D E M S D T D E R R L E M E D L E
 I L E E I I D E D A E D D E D E D
 T D R B C D E E R G I D E P D D I
 O D D L A E H R A I D T S D A A B
 R E E E L B S I C R E D I T S N L
 D P D D S L E D D I N G N I D E E

MEDICAL • MEDIC • MEDAL • BLED
 SHED • MEDITATING • CREDITS
 EDIT • RED • SHREDS • BEDPAN
 SEDIMENTARY • EDIBLE • SLEDDING
 INCREDIBLE • PEDIGREE • BEDTIME
 PEDDLE • FEDERAL • CREDITOR

ED makes /t/ sound

D D B D N T A B O L I S H E D N E
 E E S E O R D W L K P H J E E S E
 P H U C T I D U A M R I E E D S D
 P C L R I P P E M L D P R L E T B
 I T K O C P I A K P K P K U P R E
 N I E V E E R H R C E E E R I E L
 A T D I D D I H B K A D D C P S C
 P S R D U N K E D T E T E H L S H
 D E C I T N E R P P A D S E K E E
 S D E K E E P Y O K E D D D D D D

DUMPED • NOTICED • SHIPPED
 WALKED • PEEKED • STRESSED
 STITCHED • YOKED • PIPED
 LURCHED • DUNKED • SULKED
 NIPPED • ABOLISHED • APPRENTICED
 JERKED • DIVORCED • BELCHED
 STACKED • PARKED • TRIPPED

$$\begin{array}{r} 45 \\ - 15 \\ \hline \end{array}$$

$77 \div 7 = \underline{\hspace{2cm}}$

Erin took three numbers greater than 1 and multiplied them. One number was six and the other number was thirteen. Of course, she forgot the last number, but she remembered the product was 702. Is this possible?

$4 \times 6 =$

Mary rolls a die. What is the chance of her rolling a 3?

$1 \text{ lb} = 16 \text{ oz}$

$16 \text{ lb} = \underline{\hspace{2cm}} \text{ oz}$

$995 - 437 = \underline{\hspace{2cm}}$

Name: _____

ED Words

ED Words

shredding • commenced • scalped • led • choked • dedication
reddest • fled • lapped • distressed • grasped • meditating

ED makes /t/ sound as in baked	ED makes /EHd/ sound as in bed	not sure
commenced	dedication	
_____	_____	_____
_____	_____	_____
_____	_____	_____
_____	_____	_____
_____	_____	_____

Help! Some of the ED words from this page and the previous page are written like they sound. Can you figure out the real spelling of these words? Good luck.

EHduht edit _____

EHduhbuhl _____

pēkt _____

dihvawrst _____

dihstrEHst _____

yōkt _____

rEHd _____

shrEHdihNG _____

lapt _____

uhprEHntuhst _____

pEHduhgrē _____

mEHduhkuhl _____

ō kōz → cause

oo choo → chew

ā kāk → cake

ē fēt → feet

ī īs → ice

ō bōt → boat

ū kūt → cute

Name: _____

ED Words

~~replied~~ • bbond • bond • we'd • clutch • join • whined • not
wwee • repiled • dinner • cluch • his • whned • pouty • we
wi'd • kno • knot

"Chicken? Again? That's all _____ ever eat," Elijah
_____. "What would you rather have for _____,
Elijah?" _____ mom impatiently asked. "Anything but chicken!" he said
with a _____ face. "Fine," his mom _____ replied. "You
can eat some green beans and some chicken." Elijah was _____
amused.

eyesite • aye • new • eye • doctor • years • gnu • startling
surprising • two • loved • eyee • changed • hed • fvorites • nao
startling • ~~vision~~ • much • to • suprising • muhc • changd • had
tuo • teo • favorites • eyesight

Diana liked going _____ the _____
_____ each year. She liked seeing how _____
her _____ vision _____ had changed. Some _____ it
_____ enough to warrant Diana getting
_____ glasses. Those visits were her _____. She
_____ picking out new frames and _____ her
friends with a new look at school.